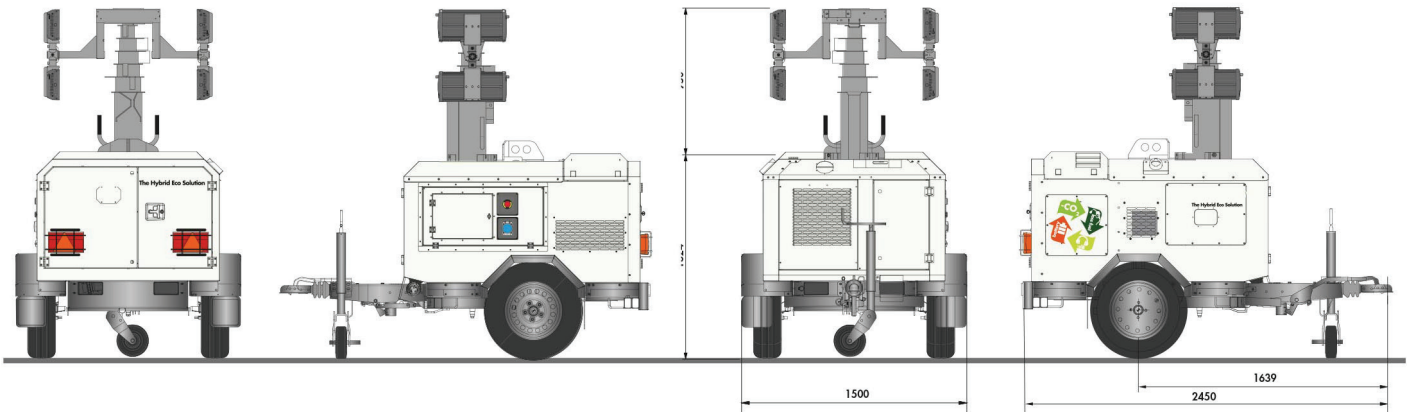


# HYBRID LIGHTING TOWER



## LED TECHNOLOGY WITH LITHIUM BATTERY

- Easy to manoeuvre and transport
- Easy 1 person operation
- Central lift facility – ideal for forklift loading
- Fully automated or manual function
- Automatic lowering when parking break is deactivated
- Galvanized steel sound proofing canopy
- Oil extraction pump
- Tropicalized radiator with electric fan
- 4 adjustable deploying stabilizers
- Road trailer
- Fix drawbar
- Standard 13" tyres
- Battery isolator switch
- 300hrs engine maintenance intervals
- Energy efficient
- 30% more battery use than standard lighting tower
- Lower CO2
- Lower fuel consumption
- 300 hours of lighting on one fuel tank
- 4 x 115w LED projectors - [460W total power]
- Long life LED lamps
- Instant light
- Approximately 10hrs continuous light every 2hrs charge
- All lights fully adjustable 1800 each way
- Electric tilt
- Up to 9m mast height
- Hydraulic mast of galvanised steel
- Deployment time: 15 seconds
- 350° mast rotation with brake
- Remote monitoring
- Low voltage for improved safety

Unit B1 Colliery Business Park  
Pike Road, Eythorne,  
Dover, Kent, CT15 4FE

t 01304 833900  
e [rental@powerhire.uk.com](mailto:rental@powerhire.uk.com)  
[www.powerhire.uk.com](http://www.powerhire.uk.com)



# HYBRID LIGHTING TOWER

## Engine

MODEL	KOHLER KDW702
RPM	1500
KWM PRP	5,0
KWM LTP	5,5
REGULATOR	MECHANICAL
CYLINDERS	2
CM <sup>3</sup>	686
ASPIRATION	NATURAL

## Alternator

VOLTAGE (V)	230V 1ph
REGULATION	AUTOMATIC WITH AVR

## Lithium Battery Pack

MODEL	V-LFP 48V 100 Ah
NOMINAL VOLTAGE	48V
NOMINAL CAPACITY	100 Ah
WEIGHT	62KG
NOMINAL ENERGY	5000Wh
VOLUMETRIC ENERGY	
DENSITY	350%
GRAVIMETRIC ENERGY	
DENSITY	81Wh/kg
ROUND TRIP EFFICIENCY %	>98%
LIFE CYCLE (25°)	80% DOD 4000 CYCLES

## Lighting Tower

MODEL	FQ 9604 KL
VOLTAGE	48V DC
FUEL TANK (L)	115
FUEL CONSUMPTION	0,3
CONTROL PANEL	DSE 7420 CONTROLLER
WEIGHT (KG)	1300
DIMENSIONS LxWxH (cm)	245x150x230
MAX DIMENSIONS LxWxH (cm)	245x280x920



Unit B1 Colliery Business Park  
Pike Road, Eythorne,  
Dover, Kent, CT15 4FE

t 01304 833900  
e rental@powerhire.uk.com  
www.powerhire.uk.com

